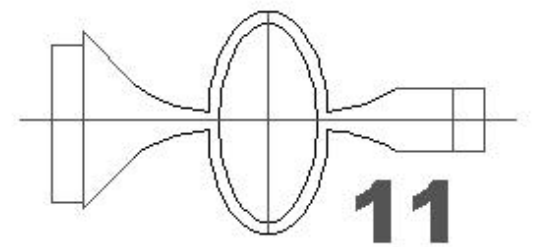
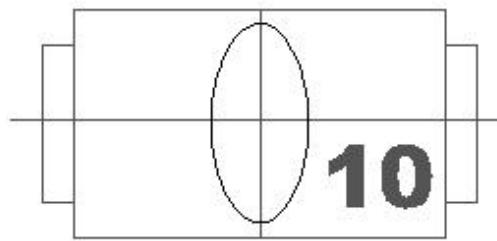
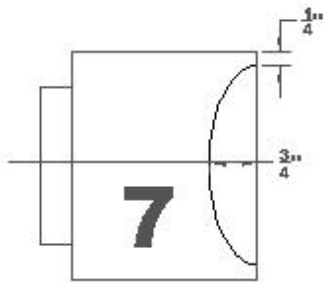
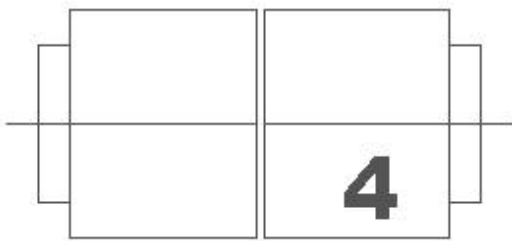
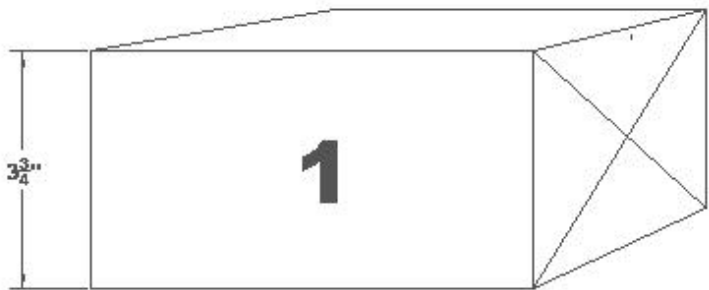
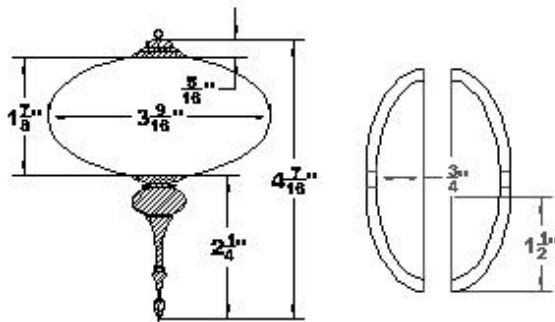


## Turning the Hollow in Hollow Objects

---

1. Choose a piece of wood that is about  $\frac{1}{4}$ " larger than the diameter of the finished ornament, and about twice as long. That is; for our **3-9/16"** oval ornament we need a piece of wood at least  $3\frac{3}{4}$ " square by about 7 inches long. If you want the wood grain on your finished ornament to line up perfectly choose a piece of wood with fairly straight grain.
2. Mount the wood block between centers and remove the corners to produce a cylinder slightly larger in diameter than **3-9/16"**.
3. At each end turn whatever tenon is necessary to mount the work into your lathe chuck.
4. Using a thin parting tool (or a band saw) cut the cylinder into two equal length pieces.
5. Mount one half in your lathe chuck, true-up the face and leave a slight dimple in the center.
6. Drill a +/-  $\frac{1}{4}$ " hole at the dimple to whatever depth you are going to hollow the piece (in this case  $\frac{3}{4}$ ").
7. Hollow this area with whatever tool you are most comfortable using (small bowl gouge or a round-nose scraper). Don't worry about how it looks, no one will ever see this area again.  
  
Leave a wall thickness of  $3/16 - \frac{1}{4}$ ".
8. Sand the face flat using an 80 grit sanding disk stuck to a flat surface (i.e.,  $\frac{1}{4}$ " Plexiglas®).
9. Repeat steps 5 through 7 with the other half.
10. Apply polyurethane (Gorilla) glue to one face, line up the wood grain and clamp together at least overnight.
11. Remount one end in your chuck, support the other end with a live center and shape the outside of your ornament.



*(Numbers correspond to written directions.)*